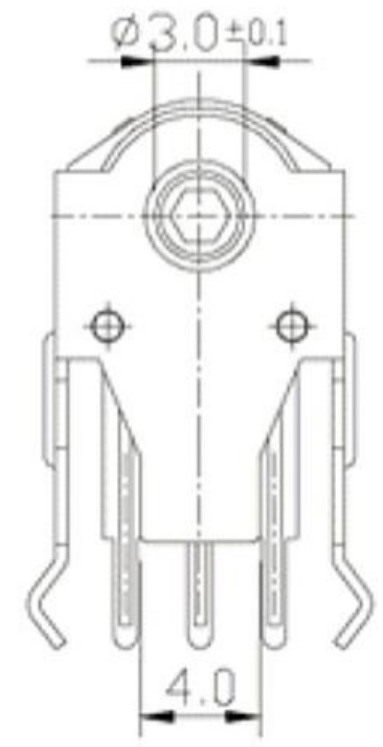
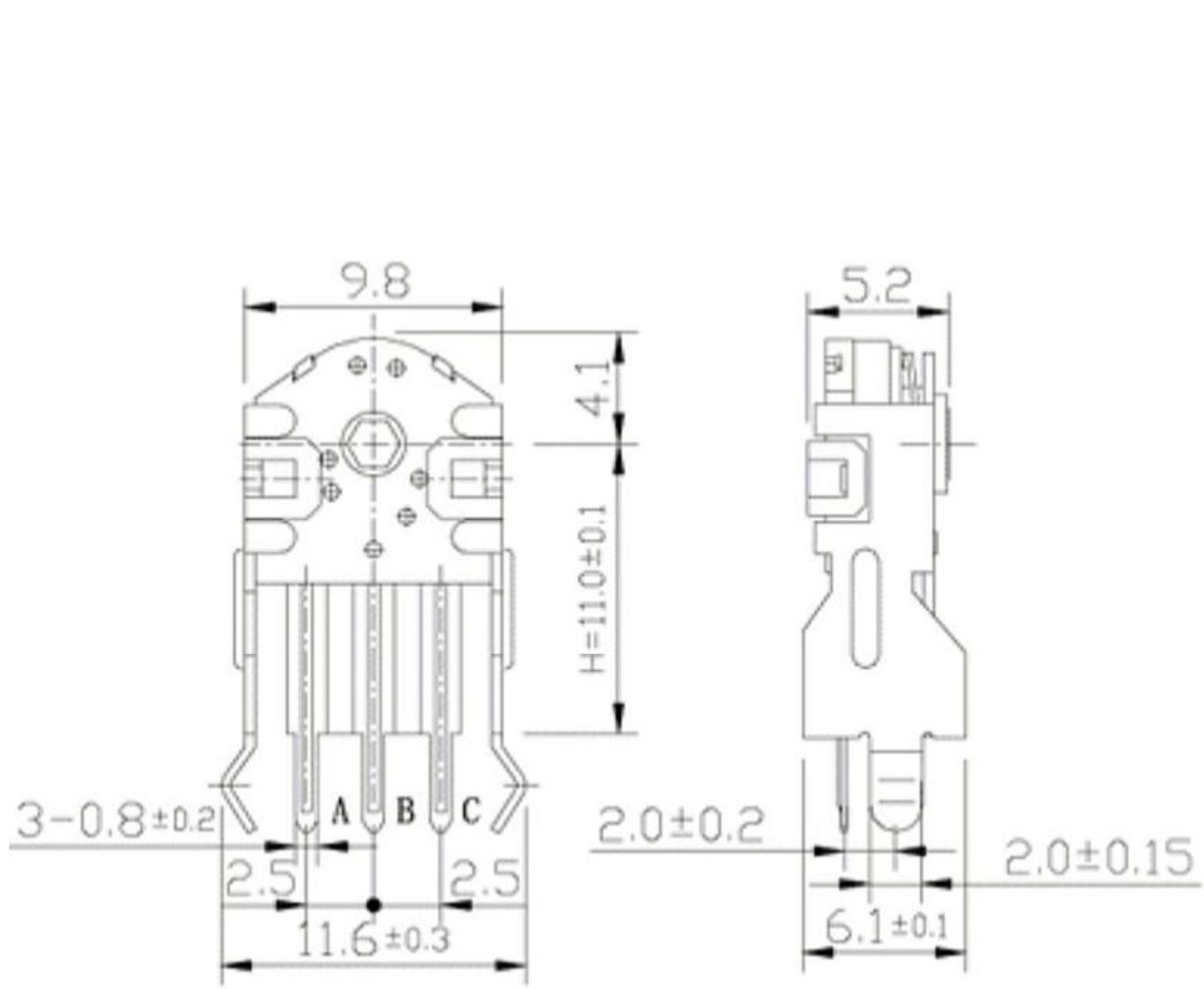


A B C D E F G H I J

1  
2  
3  
4  
5  
6  
7



SPECIFICATIONS

1. Rating : DC 10V , 1 mA Max ;
2. Circuit : 1C - 1P ;
3. Operating force : 25 ±10 gf ;
4. Contact resistance : 100 mΩ Max ;
5. Travel : 0.25 ± 0.1 mm ;
6. Life : 150,000 Cycles Min °  
(each upright and opposite roate)



**东莞市高迪电子有限公司**  
Dong Guan KDRR Electronic Switch Jack Co., Ltd.

TOLERANCE UNLESS OTHERWISE STATED :  
 Up to 5 ±0.2  
 Above 5 - 15 ±0.3  
 Above 15 - 30 ±0.4  
 Above 30 - 50 ±0.5  
 Angle ±0.3

3RD. ANGEL'S

UNITS MM

DRAWN BY:	DATE	MAT'L	TITLE	ENCODER
Frank Wu	10/17/11			
CHECKED BY:	DATE	FINISH	MODLE	ENCODER
Jacky Chen	10/17/11			
APPROVED BY:	DATE	SCALE	DWG NO.	K50-A
Tony Kao	10/17/11	1 : 1		
		SHEET NO.	PART NO.	K50-A
		1 of 1		
				SIZE A4
				VER A

ITEM NO.	DESCRIPTION	DRAWN	DATE

A B C D E F G H I J